



Title:

Surface treatment of aluminum alloy parts

Document no.:

D2_00_01

Revision:

R04

Title	Document no.	Revision	Page	Pages
Surface treatment of aluminum alloy parts	D2_01_00	Rev. 04	1	20



Table of revisions

Revision	Affected pages	Short description of change
00	All	Original issue
01	02, 17	Table of revision, part D2_T2_08N added
02	12, 16, 17	Parts D2_W11_13N, D2_T4_12N removed, parts D2_U1_12N, D2_F4_40N added
03	17 – 22	13 parts from control system, 2 from fuselage added
04	All	General instruction updated, list of parts edited.

Title	Document no.	Revision	Page	Pages
Surface treatment of aluminum alloy parts	D2_01_00	Rev. 04	2	20


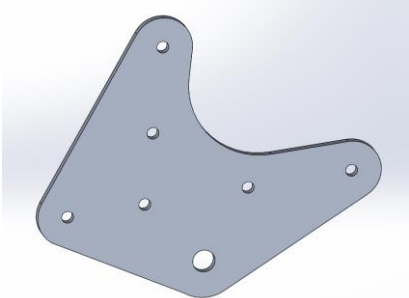
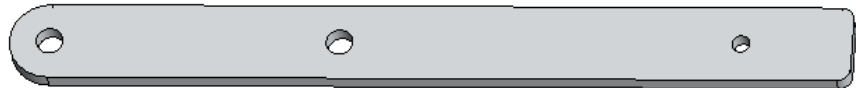


General information

- It is **absolutely necessary** to carry out a proper anti-corrosion surface treatment of **all parts** made out of **2024** and **2030** alloy! These parts are listed in the table below, and **may be** delivered with a surface treatment – anodizing or a basic green anticorrosion paint which can be kept or can be covered by paint to get a desired color.
- It is up to each builder to consider surface treatment of all other parts of the delivered kit, as it depends on the conditions, in which the airplane is going to be operated and stored. **Anticorrosion paint of all parts is highly recommended, for the aircraft operated close to the sea/ocean.**
- It is responsibility of the builder to choose a correct anti-corrosion paint in case that some parts are delivered without the surface treatment and for the rest of aluminum alloy parts – if needed.
- **The supplier of the kit, Future Vehicles s r.o. is not responsible for any possible corrosion that appears during the operation of the airplane, due to the improper surface treatment.**

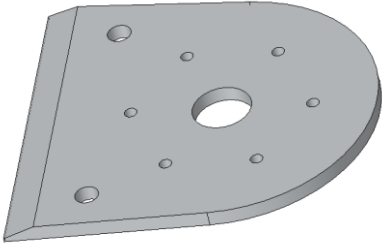

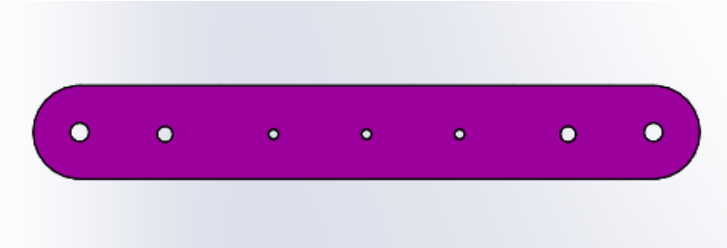
Title	Document no.	Revision	Page	Pages
Surface treatment of aluminum alloy parts	D2_01_00	Rev. 04	3	20



Picture of the part	Part number	Quantity / Airplane
	D2_F1_23N	1
	D2_F1_26N	2
	D2_F1_28N	1

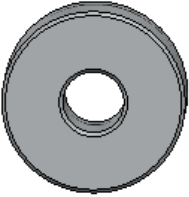
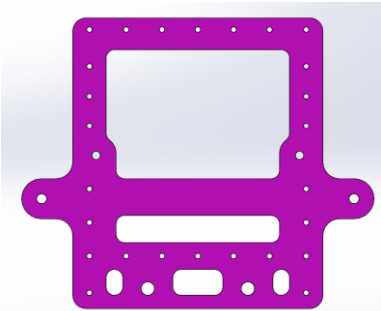
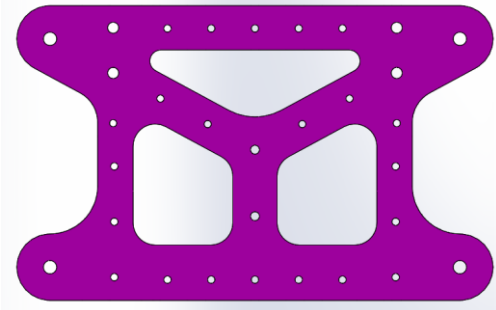
Title	Document no.	Revision	Page	Pages
Surface treatment of aluminum alloy parts	D2_01_00	Rev. 04	4	20



Picture of the part	Part number	Quantity / Airplane
	D2_F1_33N	1
	D2_F4_01N	1
	D2_F4_02N	1

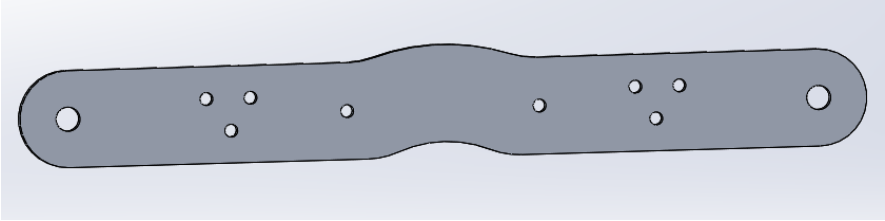
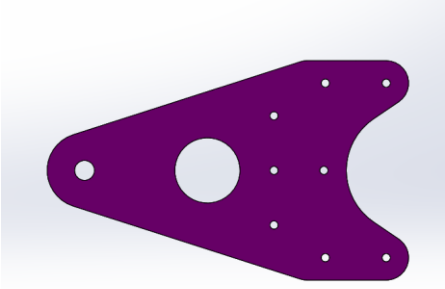
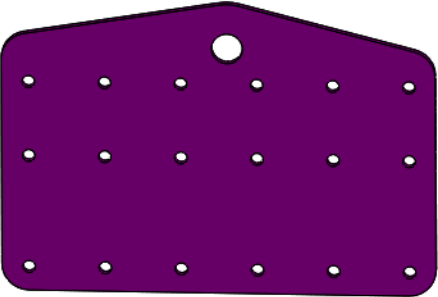
Title	Document no.	Revision	Page	Pages
Surface treatment of aluminum alloy parts	D2_01_00	Rev. 04	5	20



Picture of the part	Part number	Quantity / Airplane
	D2_F4_03N	9
	D2_F4_04N	1
	D2_F4_05N	1

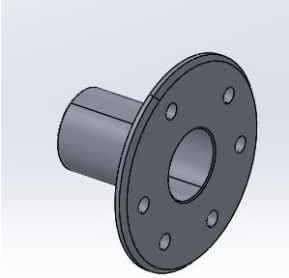
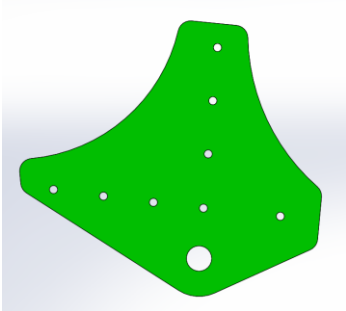
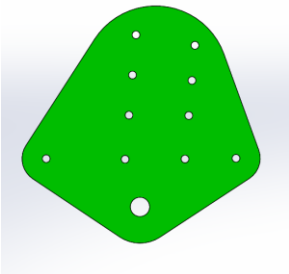
Title	Document no.	Revision	Page	Pages
Surface treatment of aluminum alloy parts	D2_01_00	Rev. 04	6	20



Picture of the part	Part number	Quantity / Airplane
	D2_F4_06N	1
	D2_F4_07N	2
	D2_F4_08N	2

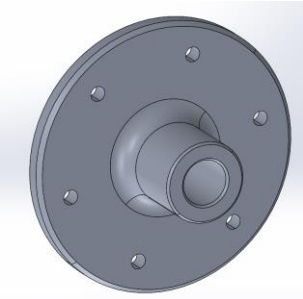

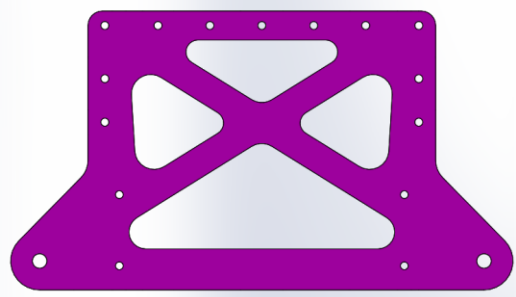
Title	Document no.	Revision	Page	Pages
Surface treatment of aluminum alloy parts	D2_01_00	Rev. 04	7	20



Picture of the part	Part number	Quantity / Airplane
	D2_F4_14N	2
	D2_F4_18N	2
	D2_F4_19N	2

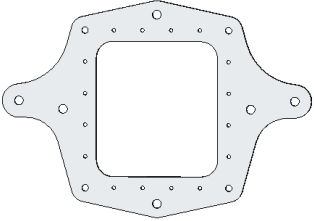

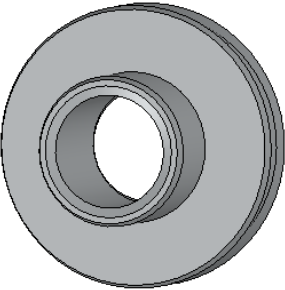
Title	Document no.	Revision	Page	Pages
Surface treatment of aluminum alloy parts	D2_01_00	Rev. 04	8	20



Picture of the part	Part number	Quantity / Airplane
	D2_F4_21N	1
	D2_F4_22N	1
	D2_F4_26N	1

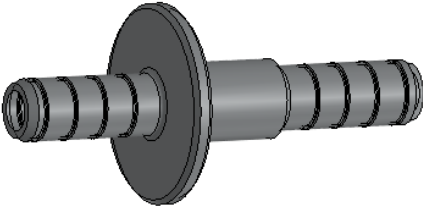
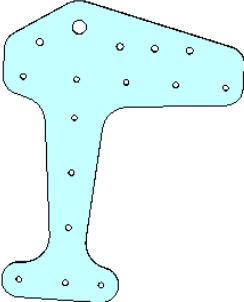
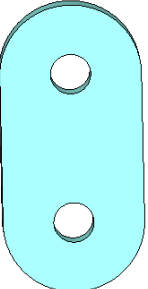
Title	Document no.	Revision	Page	Pages
Surface treatment of aluminum alloy parts	D2_01_00	Rev. 04	9	20



Picture of the part	Part number	Quantity / Airplane
	D2_F4_27N	1
	D2_F4_34N	1
	D2_F4_40N	2

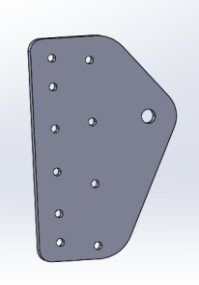

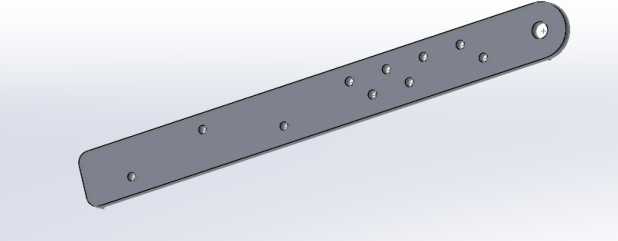
Title	Document no.	Revision	Page	Pages
Surface treatment of aluminum alloy parts	D2_01_00	Rev. 04	10	20



Picture of the part	Part number	Quantity / Airplane
	D2_F5_02N	4
	D2_F6_01	1
	D2_F6_03	2

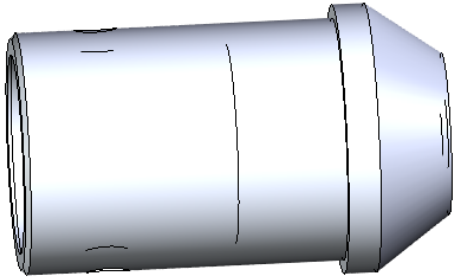


Title	Document no.	Revision	Page	Pages
Surface treatment of aluminum alloy parts	D2_01_00	Rev. 04	11	20



Picture of the part	Part number	Quantity / Airplane
	D2_W11_07N	4
	D2_W11_08N	4
	D2_W21_10N	4




Title	Document no.	Revision	Page	Pages
Surface treatment of aluminum alloy parts	D2_01_00	Rev. 04	12	20



Picture of the part	Part number	Quantity / Airplane
	D2_W3_16N	4
	D2_W3_01N	2
	D2_W3_02N	2

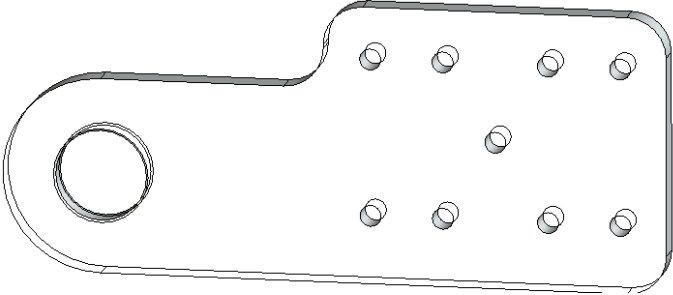


Title	Document no.	Revision	Page	Pages
Surface treatment of aluminum alloy parts	D2_01_00	Rev. 04	13	20



Picture of the part	Part number	Quantity / Airplane
	D2_W3_03N	2
	D2_W3_04N	2
	D2_W3_05N	2

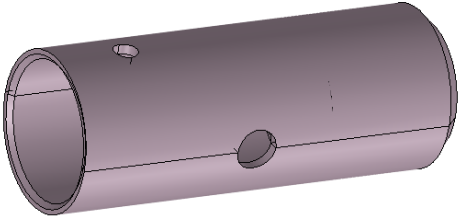
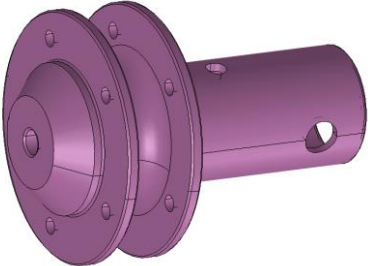

Title	Document no.	Revision	Page	Pages
Surface treatment of aluminum alloy parts	D2_01_00	Rev. 04	14	20



Picture of the part	Part number	Quantity / Airplane
	D2_T2_08N	2
	D2_U1_11N	4
	D2_U1_12N	2

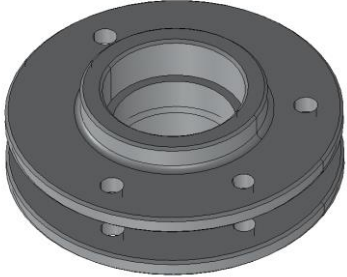

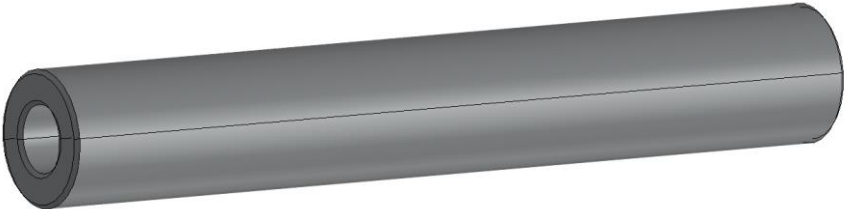
Title	Document no.	Revision	Page	Pages
Surface treatment of aluminum alloy parts	D2_01_00	Rev. 04	15	20



Picture of the part	Part number	Quantity / Airplane
	D2_R_01N	1
	D2_R_02N	1
	D2_R_04N	1


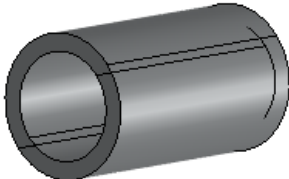

Title	Document no.	Revision	Page	Pages
Surface treatment of aluminum alloy parts	D2_01_00	Rev. 04	16	20



Picture of the part	Part number	Quantity / Airplane
	D2_R_07N	4
	D2_R_09N	10
	D2_R_13N	2


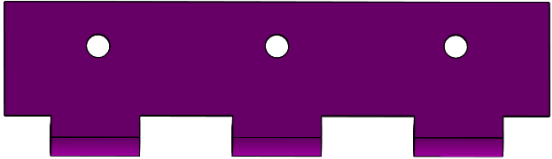
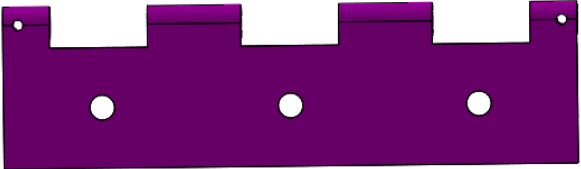
Title	Document no.	Revision	Page	Pages
Surface treatment of aluminum alloy parts	D2_01_00	Rev. 04	17	20



Picture of the part	Part number	Quantity / Airplane
	D2_R_18N	1
	D2_R_19N	2
	D2_R_21N	2

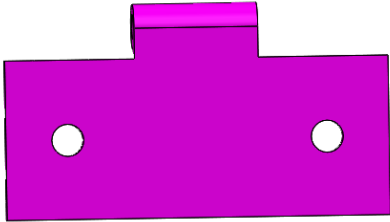
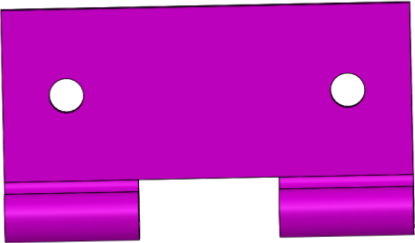
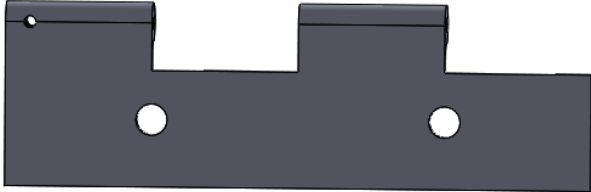
Title	Document no.	Revision	Page	Pages
Surface treatment of aluminum alloy parts	D2_01_00	Rev. 04	18	20



Picture of the part	Part number	Quantity / Airplane
	D2_R_23N	4
	D2_W11_13N_A	6
	D2_W11_13N_B	6

Title	Document no.	Revision	Page	Pages
Surface treatment of aluminum alloy parts	D2_01_00	Rev. 04	19	20



Picture of the part	Part number	Quantity / Airplane
	D2_T2_12N_A	5
	D2_T2_12N_B	5
	D2_F7_04N	4

Title	Document no.	Revision	Page	Pages
Surface treatment of aluminum alloy parts	D2_01_00	Rev. 04	20	20